

LED Troffer



INDOOR SERIES



PRODUCT OVERVIEW

The **AL TSA LED Troffer** is destined to send more fluorescent luminaires down the drain. With class leading performance of up to 130lm/W, it ensures energy savings of up to 60% over similar fluorescent luminaires. Typical payback periods of less than 12 months. Colour rendering index as high as 90, to enhance the look of any space.

The **AL TSA LED Troffer's** unique matt finish reduces glare and enables perfect vertical and horizontal light distribution, thus creating a soft and comfortable lighting experience. Smart Technology creates intelligent lighting solutions, which can be incorporated in almost any system. This Complies with most International safety standards.

Quality comes standard...



Hours
LIFESPAN



Smart
TECHNOLOGY



Low
MAINTENANCE



Year
WARRANTY



Product
CERTIFICATION



IP42
Indoor

APPLICATIONS

Hotels

Conference Facilities

Factories

Schools / Colleges

Commercial Space

Universities

Hospitals

Offices

Industrial Areas

Warehouses

FEATURES

High Brightness Cree chip sets

Glare Rating: UGR 16

Uniform Light Spread

Flicker Free

Durable Design

CONSTRUCTION DETAILS

Silver/White Housing Finish

IP42 Ingress Protection

Aluminium Housing

PC Lens

LED Troffer | Technical Data

MODEL No.:	SIZE (mm)	VOLTAGE (V)	POWER (W)	LUMEN (lm)	BEAM ANGLE	CRI	CCT (K)	GLARE RATE (UGR)
PAN/TR/606/24/36*	600x600	100-265	24/30	3600	120°	>80	3000-6000	UGR 22
PAN/TR/606/36/40*	600x600	100-265	36/40	4800	120°	>80	3000-6000	UGR 22
PAN/TR/123/50/*	1200x600	100-265	50	6000	120°	>80	3000-6000	UGR 22
PAN/TR/126/30/36*	1200x600	100-265	30/36	4320	120°	>80	3000-6000	UGR 22
PAN/TR/126/42/*	1200x600	100-265	42	5040	120°	>80	3000-6000	UGR 22
PAN/TR/126/50/*	1200x600	100-265	50	6000	120°	>80	3000-6000	UGR 22

* **Colour Temperature:** 2000-3000K (02) / 4000K (04) / 6000K (06)

MECHANICAL DATA

Humidity Range:	30-60%
LED Brand:	Hongli 2835
Operating Temperature:	-20°C ~ 50°C
Housing Material:	Aluminium
Lens Material:	PC
Housing Finish:	Silver/White
IP Rating	IP42
Mounting Configuration:	Recessed/Suspended
Glare Rating:	UGR 16
Flicker&DLC Specification:	SVM<0.4 DLC V4.0

ELECTRICAL DATA

		FEATURES
Driver:	Greenbo	EMC Applicable
Electrical Class:	Class 1	Triac Dimmable
Nominal Voltage Range:	184 - 265 VAC	DALI Control
Power Factor:	>0.95	1-10V Control
THD:	12%	Motion Sensor Integrated
Surge Protection:	Standard 1000V- Optional 2750V	
Battery Backup:	20% 30 - 90 Minutes	
Photocell:	External	
Cable Entry:	Bottom	

LED Troffer | Peripheral Items



PIR SENSOR

- Built-In Day/Night Control
- Dimming function when no movement
- 1 Sensor per luminaire



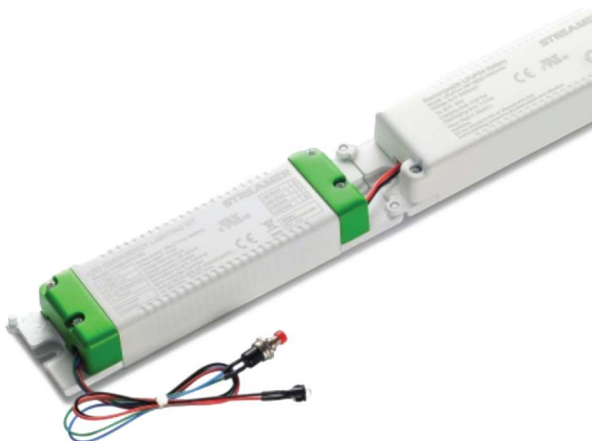
DAYLIGHT HARVESTING SENSOR

- Connects to 1-10V Interface.
- Automatically adjusts artificial light to match Ambient light.
- 1 Sensor per 20 luminaire



MICROWAVE SENSOR

- Built-in Day/Night Control
- Dimming function when no movement
- 1 Sensor per luminaire

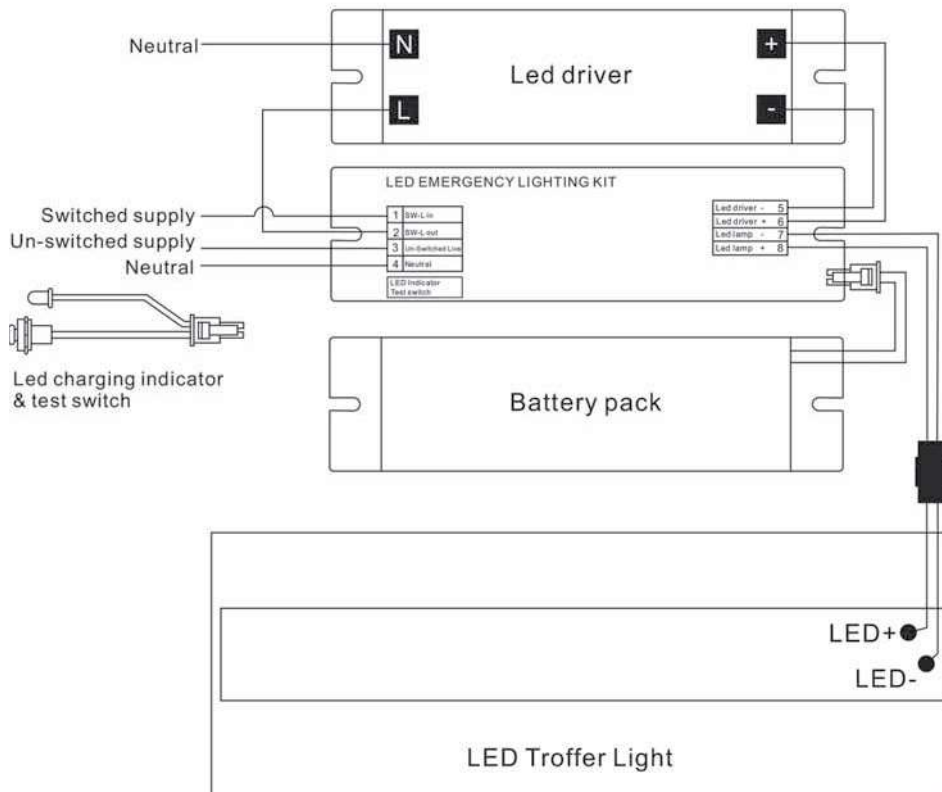


EMERGENCY BACK-UP MODULE

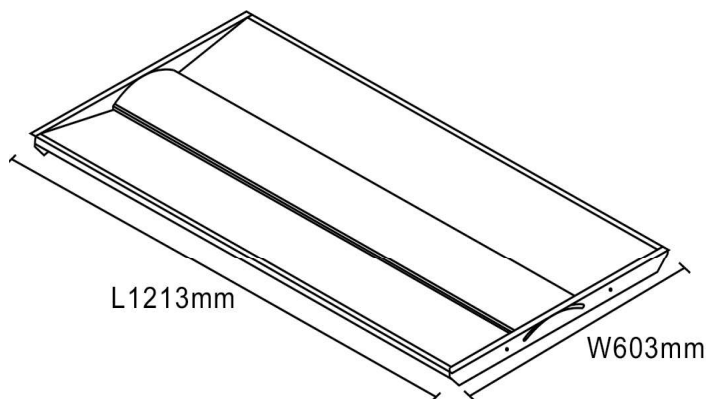
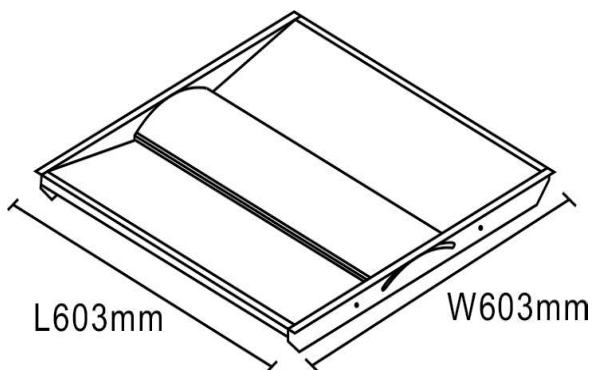
- 6.4V 1500mAh battery pack
- Constant current output
- Over Charge/Discharge Protection
- 3 Hours back-up time

LED Troffer

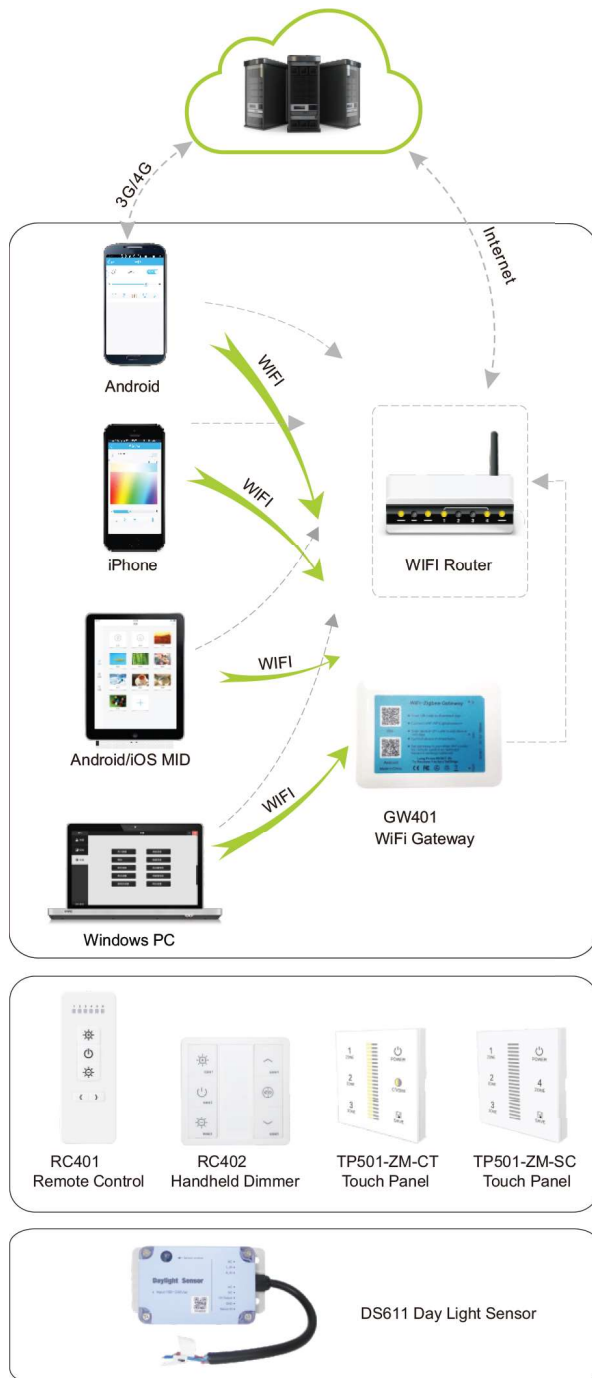
EMERGENCY WIRING



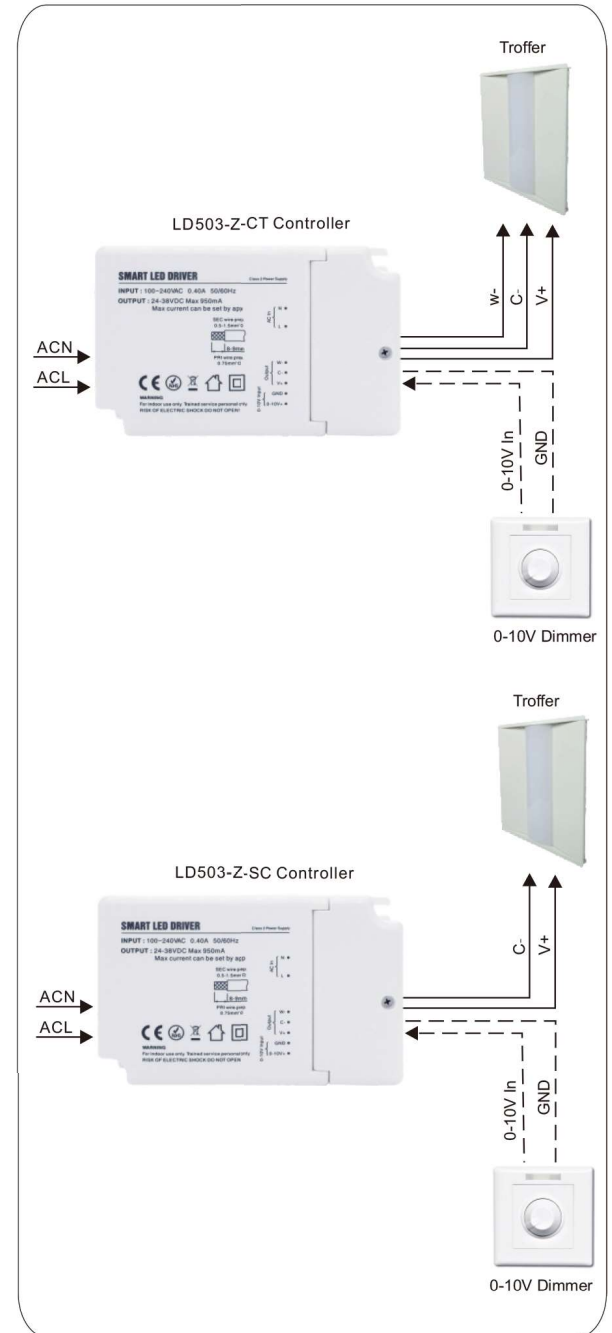
DIMENSIONAL DATA



LED Troffer | Intelligent Control System



Control



Lighting

System Diagram

- Daylight harvesting through embedded daylight sensor
- Automatic CCT change through embedded colour temperature sensor
- Supports iOS, Android and Windows
- Pre-programmed settings for each device
- Up to 500 devices per controller
- Can be controlled by up to 10 mobile devices